

End of line deflagration flame arrester (with pressure-vacuum valve) : 1048-0001-70

EC design test certificate no.

: IBExU 12 ATEX 2142 X

Standard gap (MESG)

: $\geq 0,65$ mm

Explosion group

: Ex G IIB3

Operating direction

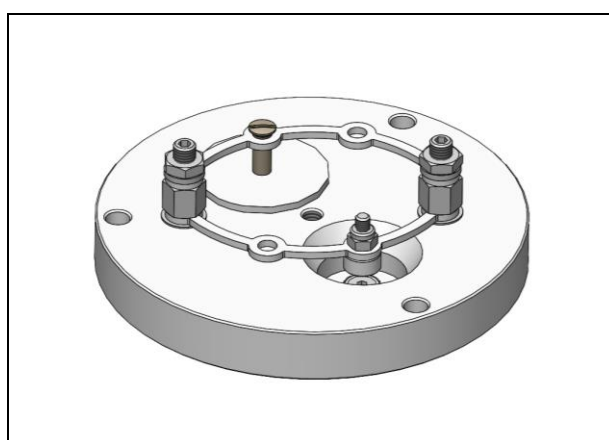
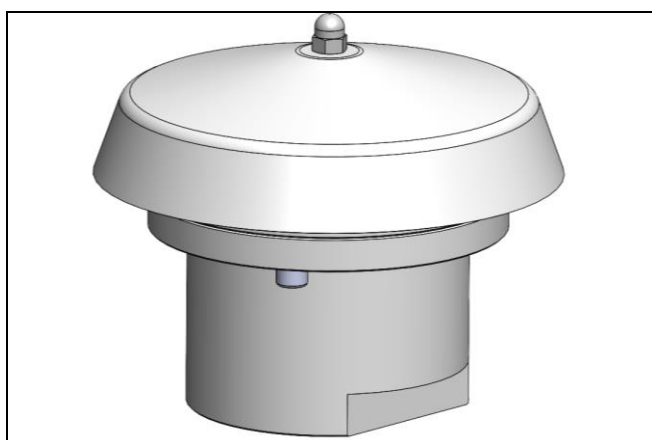
:

Thread connection

: G2" innen/internal EN ISO 228-1

Weight

: ~ 3,2 kg



Material

Housing

V4A (AISI 316 range)

Flame Arrester Element

1.4571 / AISI 316 Ti

O-Ring

FPM (Viton)

Pressure loss

See page 2

Operating Data

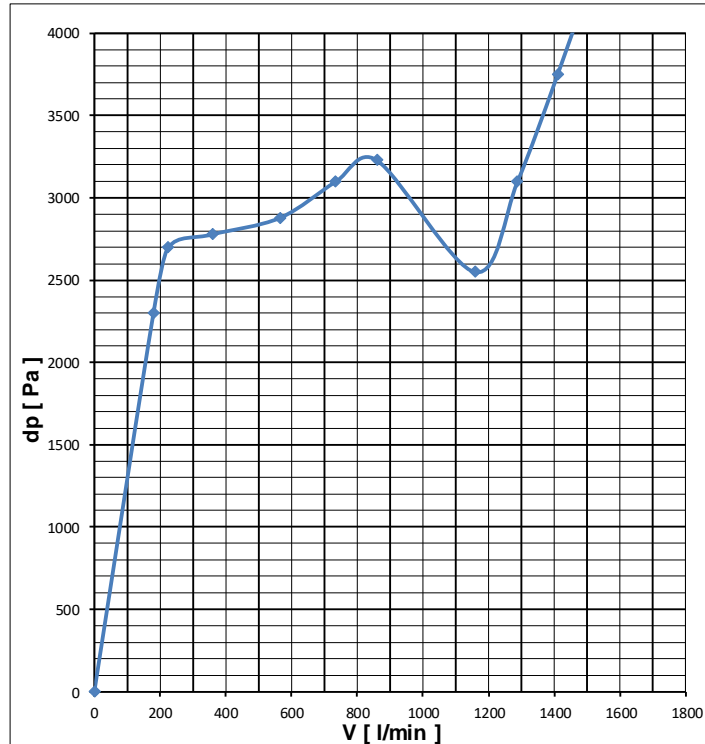
Type : DEF
Absolute pressure : $\leq 1,1$ bar
Temperature : $\leq 60,0$ °C
Nominal pipe size : \leq DN50

Pressure setting:

Over pressure : 30,0 mbar
Under pressure : 5,0 mbar

Pressure loss over pressure valve

Medium: Air, $p_0 = 1013 \text{ mbar}$, $T_0 = 293 \text{ K}$, Density = $1,20 \text{ kg/m}^3$



Pressure loss under pressure valve

Medium: Air $p_0 = 1013 \text{ mbar}$, $T_0 = 293 \text{ K}$, Density = $1,20 \text{ kg/m}^3$

