

**End of line liquid product Detonation Flame Arrester : 1004-0001-70**

**EC design test certificate no.**

**: IBExU 07 ATEX 2094 X**

**Standard gap (MESG)**

**:  $\geq 0,65$  mm**

**Explosion group**

**:  $\text{Ex}$  G IIB3**

**Operating direction**

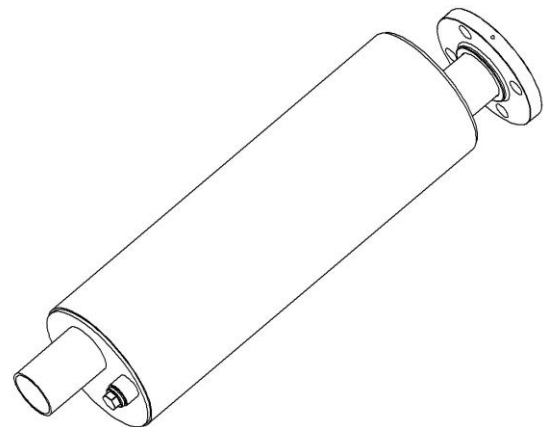
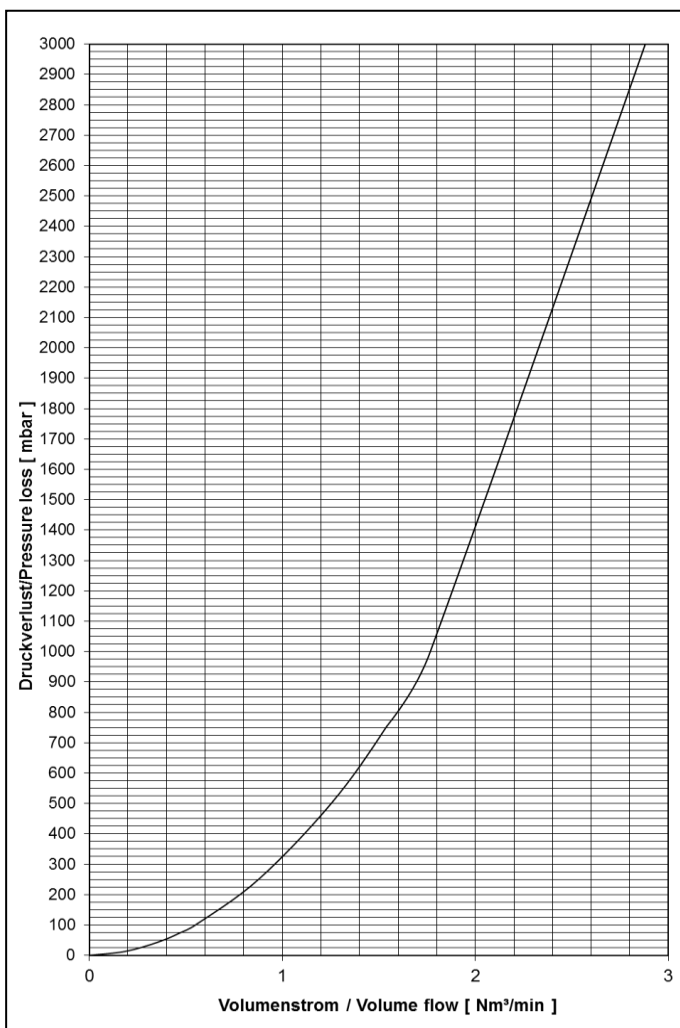
**: Einseitig/One direction**

**Flange connection**

**: EN1092-1 Typ01 (DIN2576) PN10(16)**

**Weight**

**: ~ 35,0 kg**



**Material**

Housing

V4A/AISI 316 range

**Operating Data**

Type : DET4

Absolute pressure :  $\leq 1,1$  bar

Temperature :  $\leq 60,0$  °C

Nominal pipe size :  $\leq$  DN80

**Pressure loss**

**Medium Water**

t = 15 °C, density = 1000 kg/m<sup>3</sup>