

End of line liquid product Detonation Flame Arrester : 1004-0001-40

EC design test certificate no.

: IBExU 07 ATEX 2094 X

Standard gap (MESG)

: $\geq 0,65$ mm

Explosion group

: Ex G IIB3

Operating direction

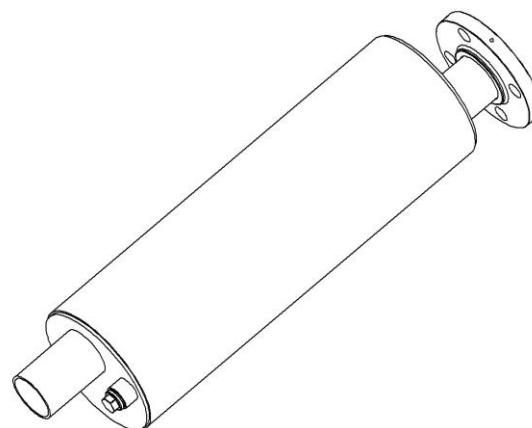
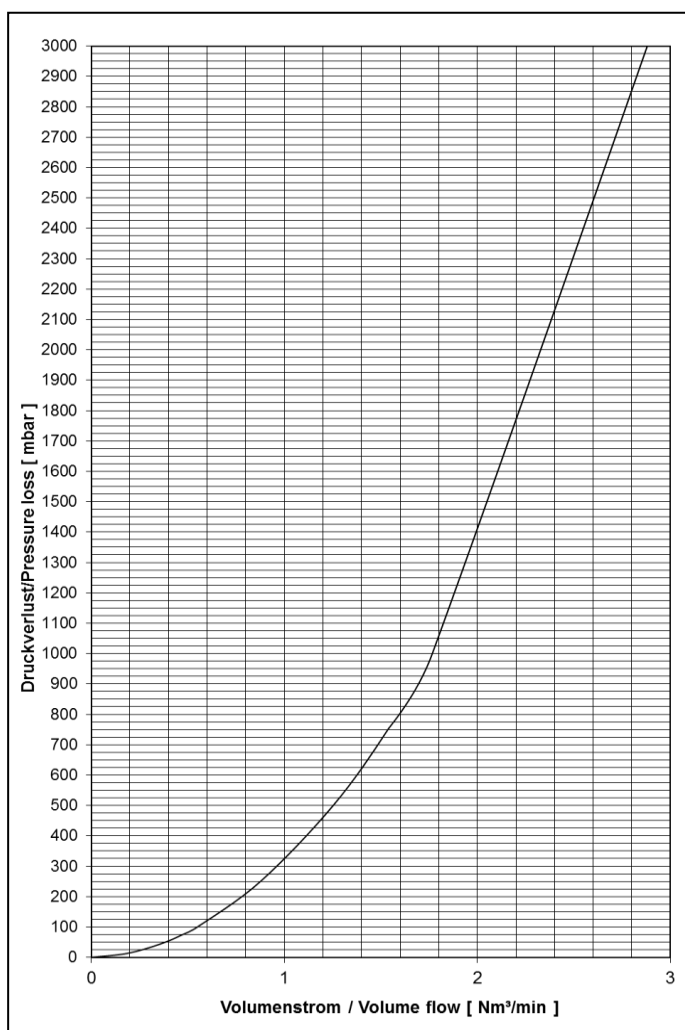
: Einseitig/One direction

Flange connection

: EN1092-1 Typ01 (DIN2576) PN10(16)

Weight

: ~ 34,6 kg



Material

Housing

V4A/AISI 316 range

Operating Data

Type : DET4

Absolute pressure : $\leq 1,1$ bar

Temperature : $\leq 60,0$ °C

Nominal pipe size : \leq DN65

Pressure loss

Medium Water

t = 15 °C, density = 1000 kg/m³