

**Inline Detonation Flame Arrester**

**EC design test certificate no.**

**Standard gap (MESG)**

**Explosion group**

**Operating direction**

**Flange connection**

**Weight**

: 1002-0026-40

: IBExU 21 ATEX 2110 X

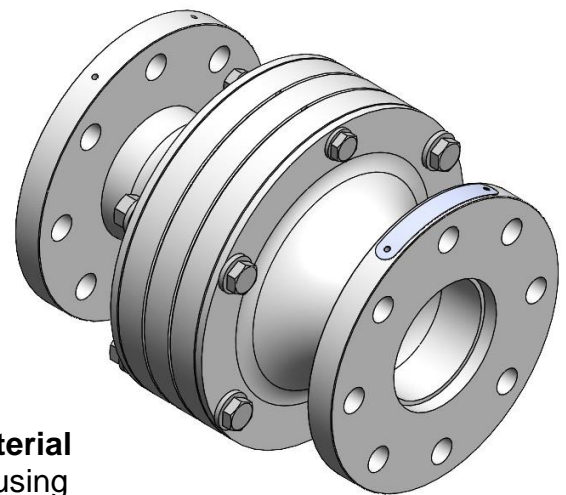
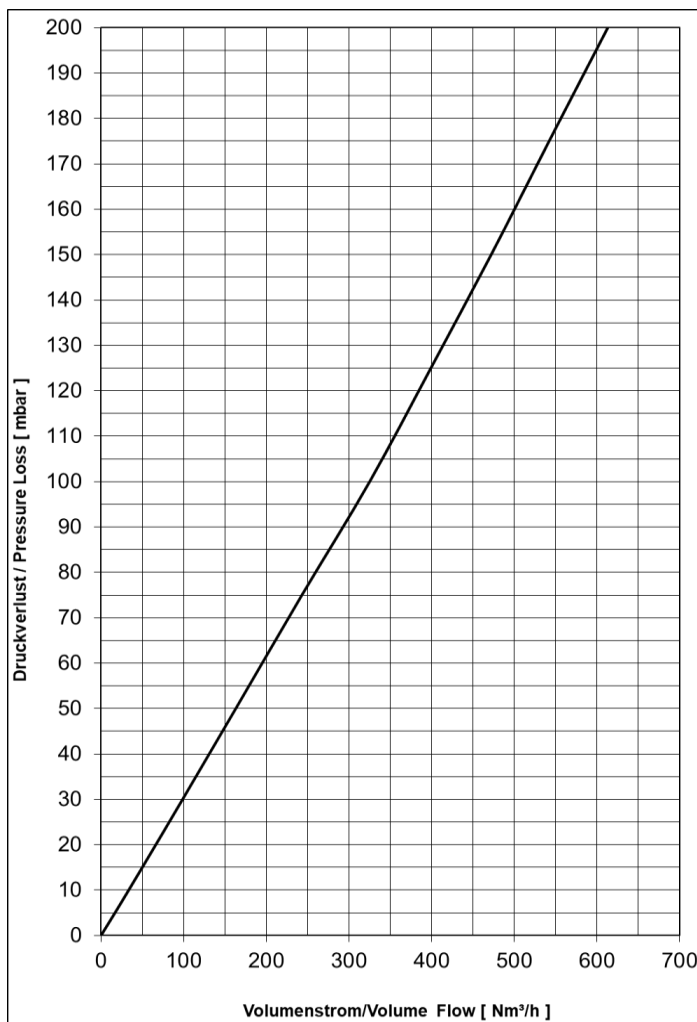
: < 0,50 mm

: G IIC

: Bidirektional / Bi-directional

: EN1092-1 (DIN2576) Typ01 PN10/16

: ~ 27,0 kg



**Material**

Housing

V4A/AISI 316 range

Flame Arrester Element

V4A/AISI 316 range

O-Ring

PTFE

**Operating Data**

Type : DET 4

Absolute pressure : ≤ 1,2 bar

Temperature : ≤ 60,0 °C

Nominal pipe size : ≤ DN65

**Pressure loss**

Medium Air

$p_0 = 1013 \text{ mbar}$ ,  $T_0 = 273\text{K}$ , density = 1,293 kg/m<sup>3</sup>