

Inline Detonation Flame Arrester

EC design test certificate no.

Standard gap (MESG)

Explosion group

Operating direction

Thread connection

Weight

: 1002-0025-05

: IBExU 21 ATEX 2109 X

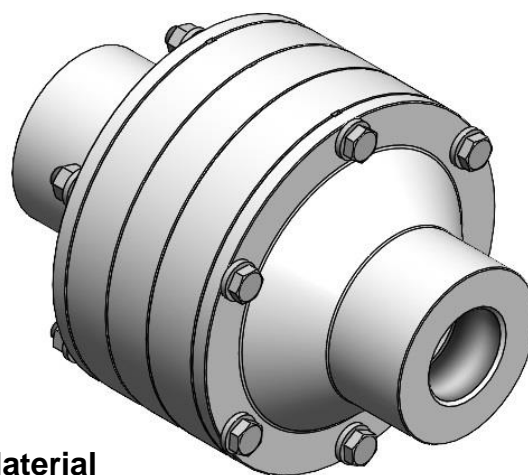
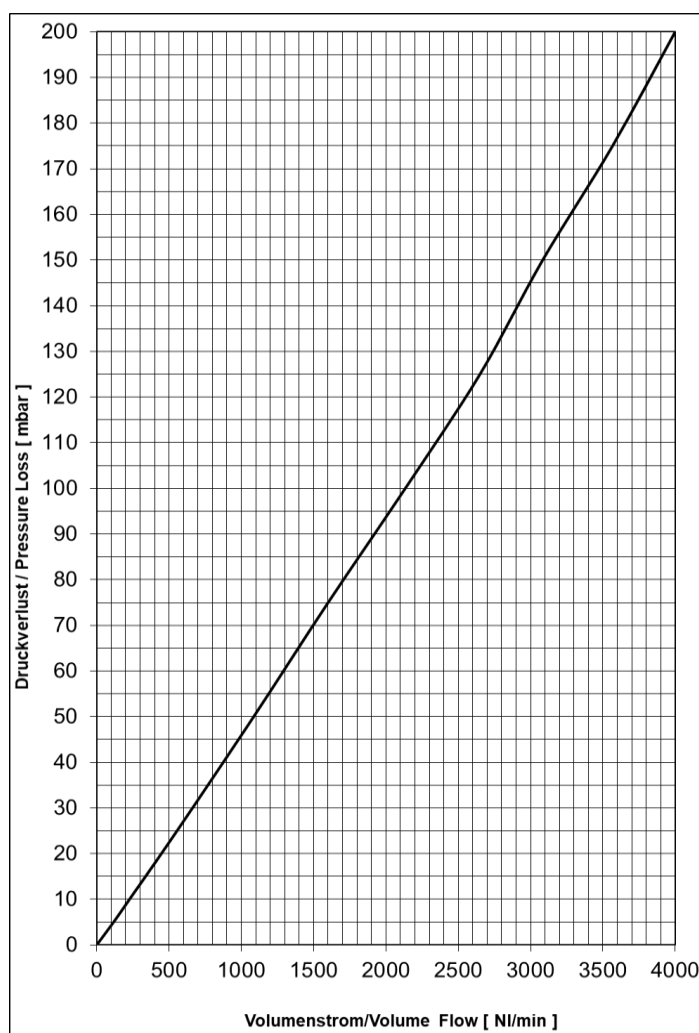
: < 0,50 mm

: G IIC

: Bidirektional / Bi-directional

: G1 1/4" innen/internal ISO228-1

: ~ 13,2 kg



Material

Housing

V4A/AISI 316 range

Flame Arrester Element

V4A/AISI 316 range

O-Ring

PTFE

Operating Data

Type : DET 4

Absolute pressure : ≤ 1,2 bar

Temperature : ≤ 60,0 °C

Nominal pipe size : ≤ DN32

Pressure loss

Medium Air

$p_0 = 1013 \text{ mbar}$, $T_0 = 273\text{K}$, density = 1,293 kg/m³