

Inline Deflagration Flame Arrester

EC design test certificate no.

Standard gap (MESG)

Explosion group

Operating direction

Flange connection

Thread connection

Weight

: 1003-0023-30

: IBExU 17 ATEX 2047 X

: $\geq 0,50$ mm

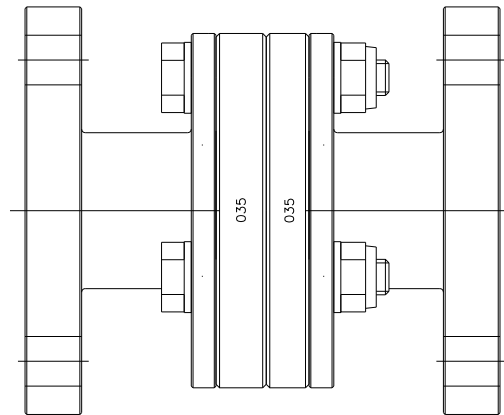
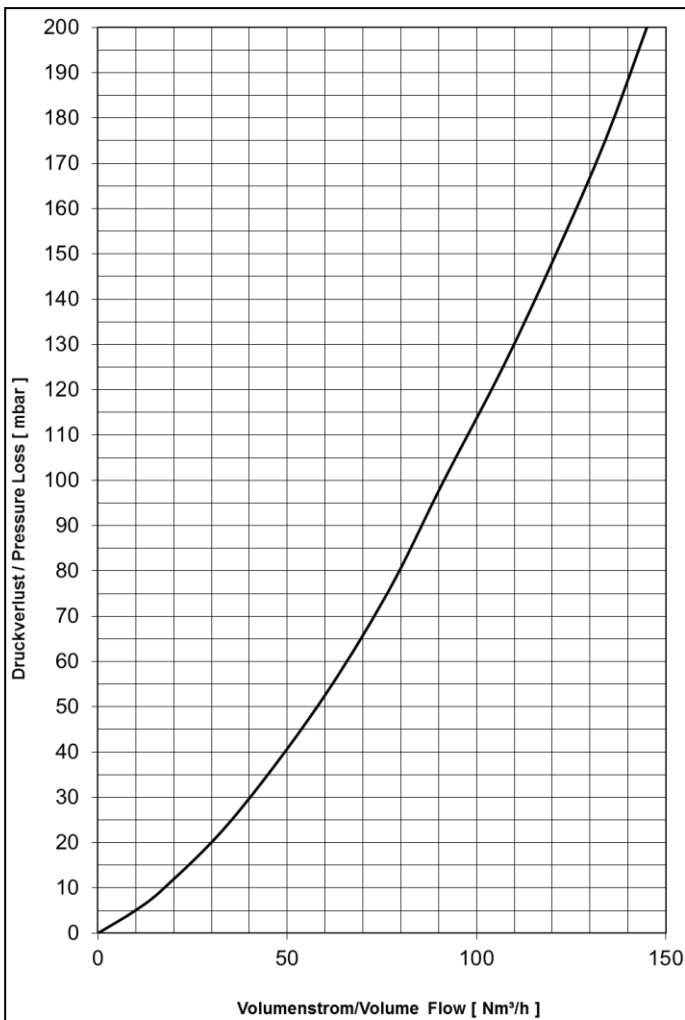
: Ex G IIB

: Bidirektional / Bi-directional

: EN1092-1 Typ01 PN10/16

:

: ~ 4,3 kg



Material

Housing

V4A/AISI 316 range

Flame Arrester Element

1.4571 / AISI 316 Ti

O-Ring

PTFE

Operating Data

Type : DEF

Absolute pressure : $\leq 1,2$ bar

Temperature : $\leq 60,0$ °C

Nominal pipe size : \leq DN20

Pressure loss

Medium Air

$p_0 = 1013$ mbar, $T_0 = 273$ K, density = 1,293 kg/m³