

**Inline Deflagration Flame Arrester**

: 1003-0011-40

**EC design test certificate no.**

: IBExU 09 ATEX 2103 X

**Standard gap (MESG)**

:  $\geq 0,90$  mm

**Explosion group**

:  $\text{Ex}$  G IIA

**Operating direction**

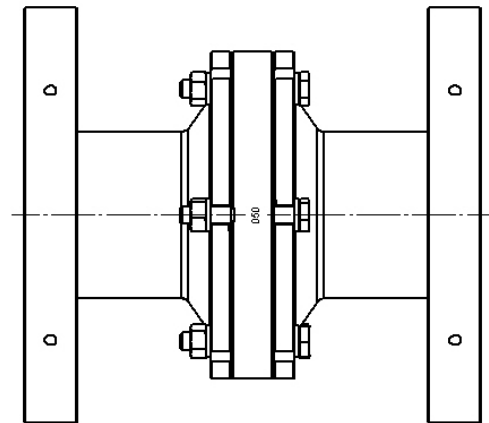
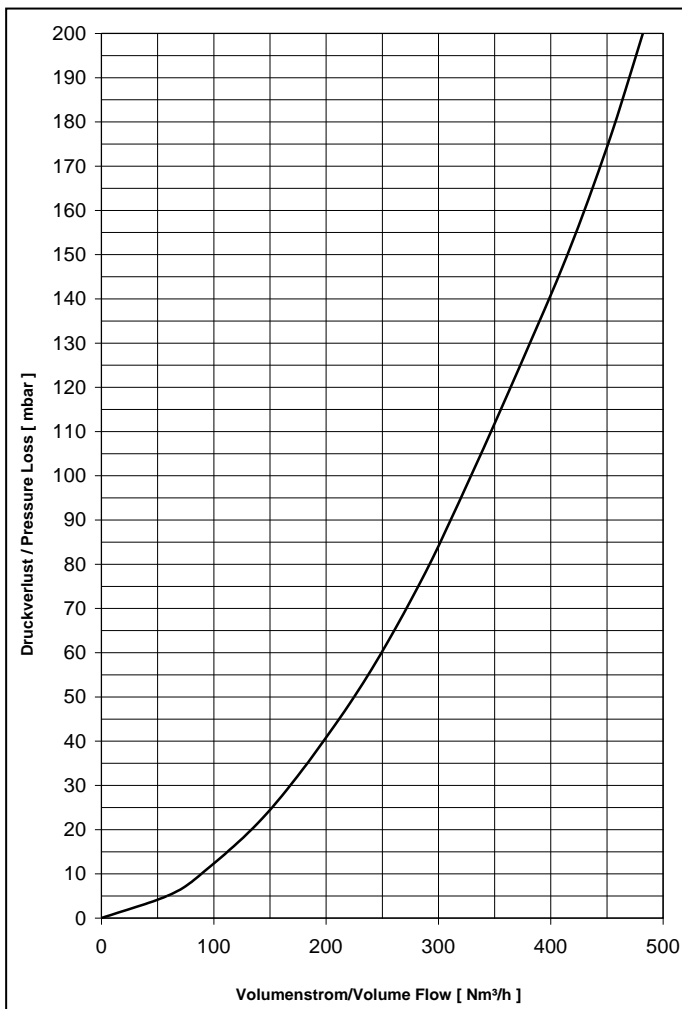
: Bidirektional / Bi-directional

**Flange connection**

: EN1092-1 Typ01 (DIN2576) PN10(40)

**Weight**

: ~ 6,3 kg



**Material**

Housing

V4A/AISI 316 range

Flame Arrester Element

1.4571 / AISI 316 Ti

O-Ring

PTFE

**Operating Data**

Type : DEF

Absolute pressure :  $\leq 1,2$  bar

Temperature :  $\leq 60,0$  °C

Nominal pipe size :  $\leq$  DN32

**Pressure loss**

**Medium Air**

$p_0 = 1013$  mbar,  $T_0 = 273$ K, density =  $1,293$  kg/m<sup>3</sup>