

Inline Deflagration Flame Arrester

EC design test certificate no.

Standard gap (MESG)

Explosion group

Operating direction

Flange connection

Thread connection

Weight

: 1003-0024-70

: IBExU 20 ATEX 2115 X

: < 0,50 mm

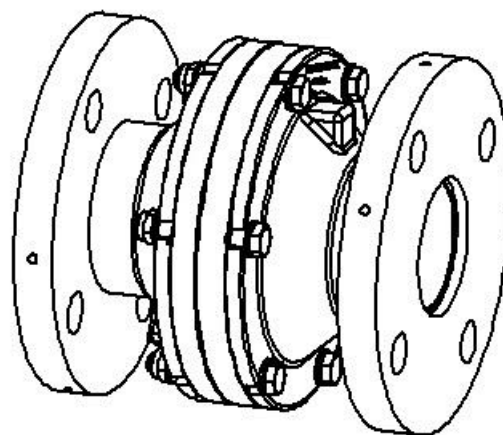
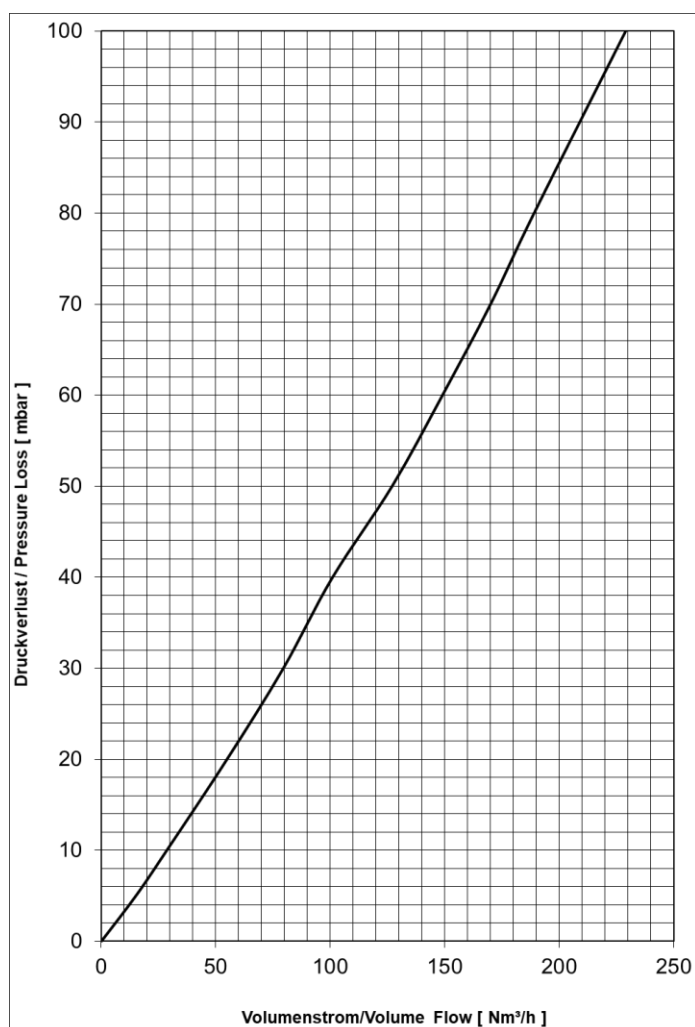
: G IIC

: Bidirektional / Bi-directional

: EN1092-1 Typ01 (DIN2576) PN10/16

:

: ~ 11,6 kg



Material

Housing

V4A/AISI 316 range

Flame Arrester Element

1.4404 / AISI 316 L

O-Ring

PTFE

Operating Data

Type : DEF

Absolute pressure : ≤ 1,1 bar

Temperature : ≤ 60,0 °C

Nominal pipe size : ≤ DN50

Pressure loss

Medium Air

po = 1013 mbar, To = 273K, density = 1,293 kg/m³