

**Inline Deflagration Flame Arrester**

**EC design test certificate no.**

**Standard gap (MESG)**

**Explosion group**

**Operating direction**

**Thread connection**

**Weight**

: 1003-0024-47

: IBExU 20 ATEX 2115 X

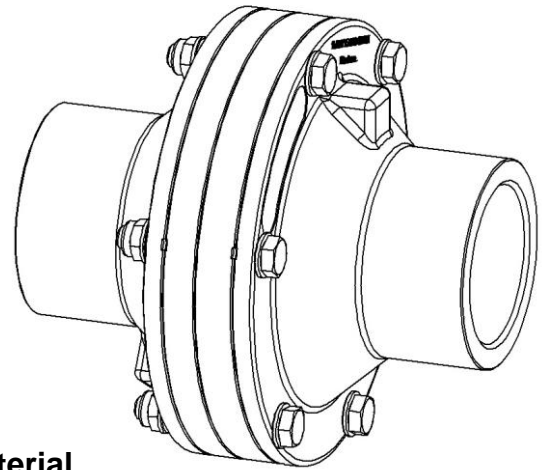
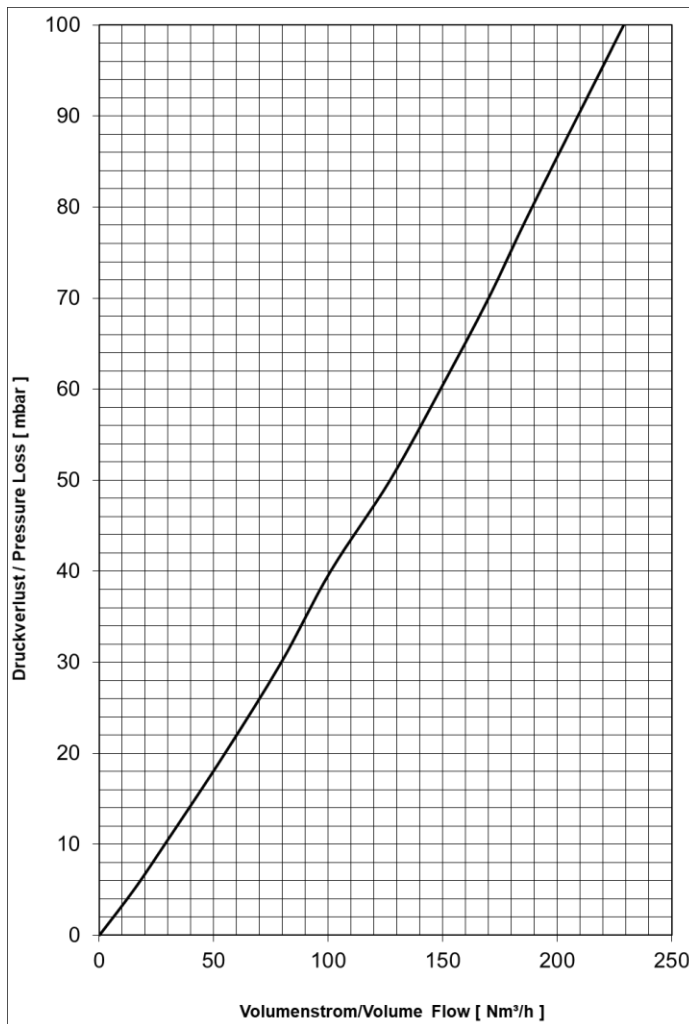
: < 0,50 mm

: G IIC

: Bidirektional / Bi-directional

: G1 1/4" innen/internal ISO228-1

: ~ 8,0 kg



**Material**

Housing

V4A/AISI 316 range

Flame Arrester Element

1.4404 / AISI 316 L

O-Ring

PTFE

**Operating Data**

Type : DEF

Absolute pressure : ≤ 1,1 bar

Temperature : ≤ 60,0 °C

Nominal pipe size : ≤ DN32

Pressure loss

Medium Air

po = 1013 mbar, To = 273K, density = 1,293 kg/m³