

**Inline Deflagration Flame Arrester**

**EC design test certificate no.**

**Standard gap (MESG)**

**Explosion group**

**Operating direction**

**Flange connection**

**Thread connection**

**Weight**

: 1003-0024-40

: IBExU 20 ATEX 2115 X

: < 0,50 mm

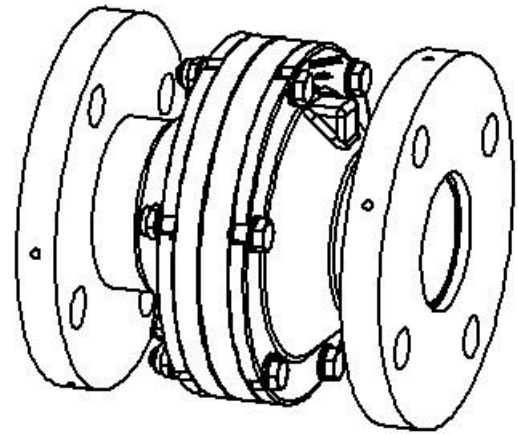
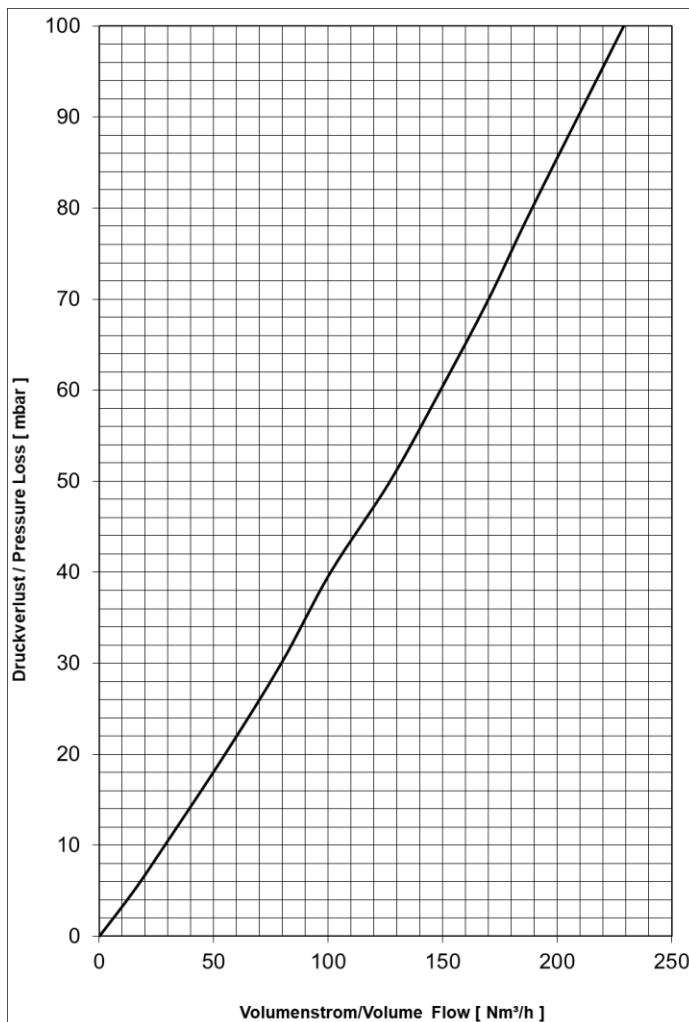
:  G IIC

: Bidirektional / Bi-directional

: EN1092-1 Typ01 (DIN2576) PN10/40

:

: ~ 11,4 kg



**Material**

Housing

V4A/AISI 316 range

Flame Arrester Element

1.4404 / AISI 316 L

O-Ring

PTFE

**Operating Data**

Type : DEF

Absolute pressure : ≤ 1,1 bar

Temperature : ≤ 60,0 °C

Nominal pipe size : ≤ DN40

Pressure loss

Medium Air

$p_0 = 1013 \text{ mbar}$ ,  $T_0 = 273\text{K}$ , density = 1,293 kg/m<sup>3</sup>