

End of line deflagration flame arrester (Suitable for endurance burning): 1018-0002-70

EC design test certificate no.

: IBExU 10 ATEX 2139 X

Standard gap (MESG)

: $\geq 0,65$ mm

Explosion group

: Ex G IIB3

Operating direction

:

Flange connection

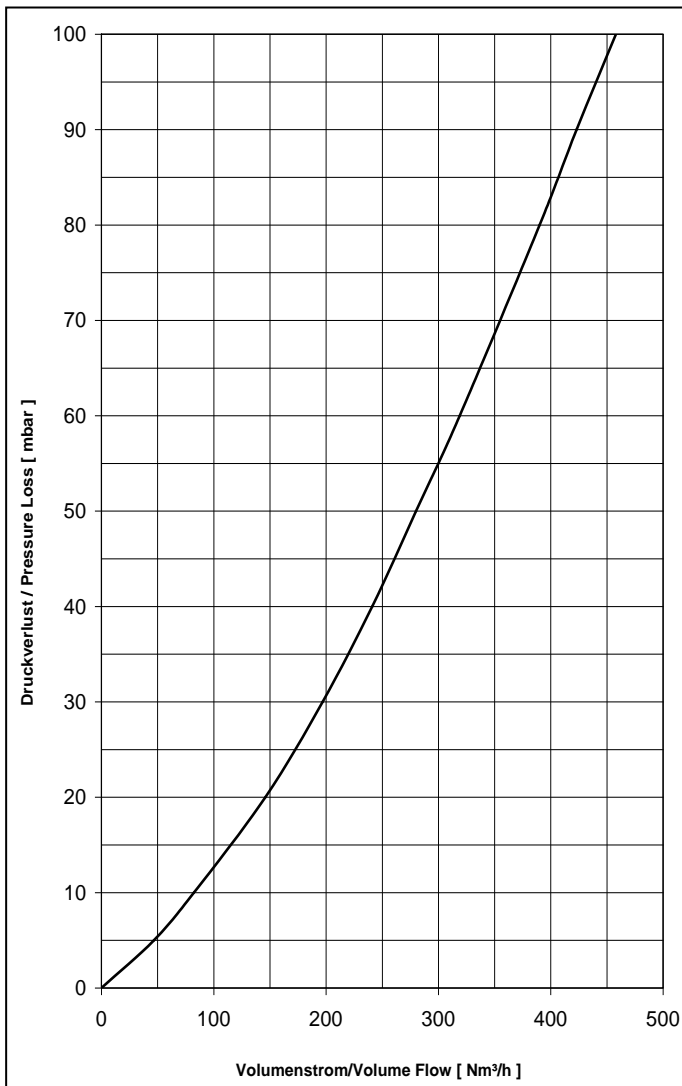
: EN1092-1(DIN2576) PN10(16)

Thread connection

: G2" innen/internal ISO228-1

Weight

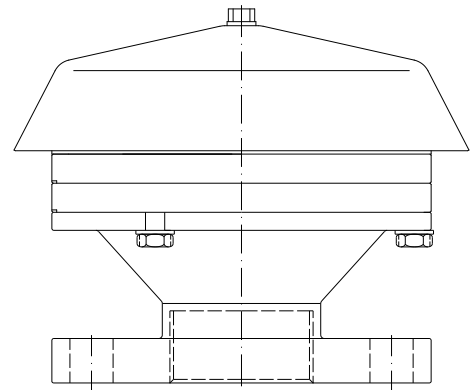
: ~ 8,2 kg



Pressure loss

Medium Air

$p_0 = 1013$ mbar, $T_0 = 273$ K, density = 1,293 kg/m³



Material

Housing

V4A/AISI 316 range

Flame Arrester Element

1.4571 / AISI 316 Ti

Operating Data

Type : DEF

Absolute pressure : $\leq 1,1$ bar

Temperature : $\leq 60,0$ °C

Nominal pipe size : \leq DN50

Approved for endurance burning of **pure** hydrocarbon chemicals.

Not approved for chemicals e.g. alcohols, ketones, amine etc. !