

**End of line deflagration flame arrester (Suitable for endurance burning): 1018-0002-40**

**EC design test certificate no.**

: IBExU 10 ATEX 2139 X

**Standard gap (MESG)**

:  $\geq 0,65$  mm

**Explosion group**

:  $\text{Ex}$  G IIB3

**Operating direction**

:

**Flange connection**

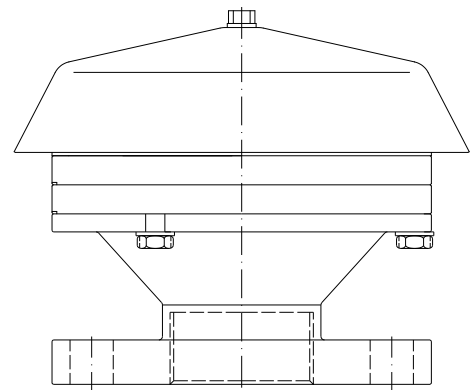
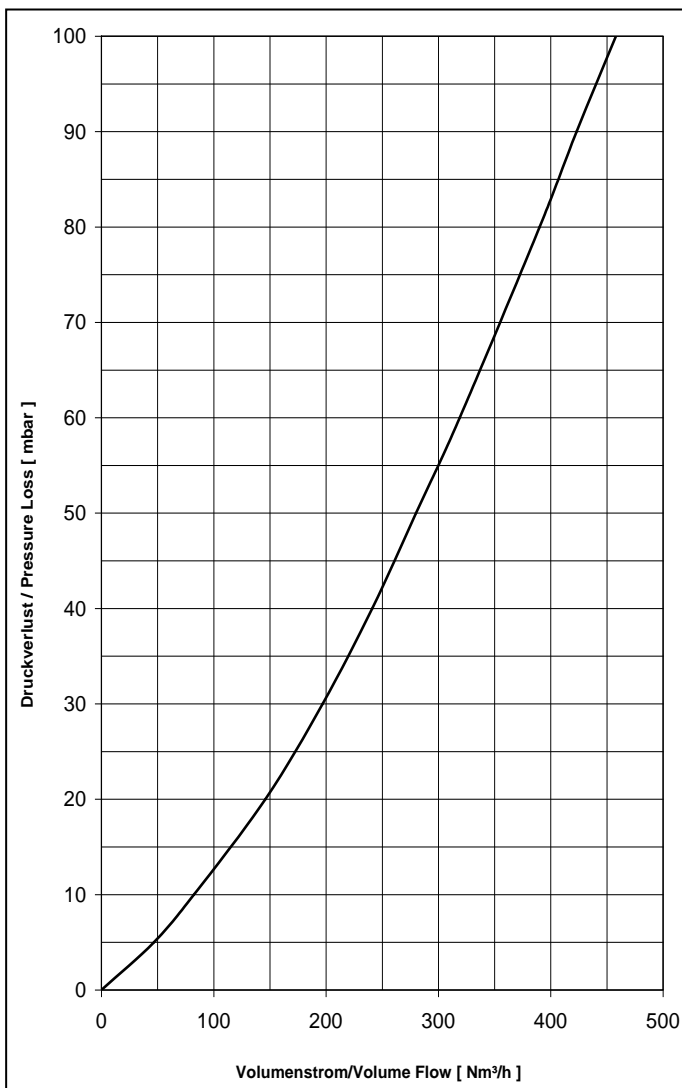
: EN1092-1(DIN2576) PN10(16)

**Thread connection**

: G1 1/2" innen/internal ISO228-1

**Weight**

: ~ 7,9 kg



**Material**

Housing

V4A/AISI 316 range

Flame Arrester Element

1.4571 / AISI 316 Ti

**Operating Data**

Type : DEF

Absolute pressure :  $\leq 1,1$  bar

Temperature :  $\leq 60,0$  °C

Nominal pipe size :  $\leq$  DN40

Approved for endurance burning of **pure** hydrocarbon chemicals.

**Not** approved for chemicals e.g. alcohols, ketones, amine etc. !

Pressure loss

Medium Air

$p_0 = 1013$  mbar,  $T_0 = 273$ K, density = 1,293 kg/m<sup>3</sup>