

**Inline Detonation Flame Arrester**

: 1002-0024-40

**EC design test certificate no.**

: IBExU 14 ATEX 2106 X

**Standard gap (MESG)**

: < 0,50 mm

**Explosion group**

: G IIC

**Operating direction**

: Bidirektional / Bi-directional

**Flange connection**

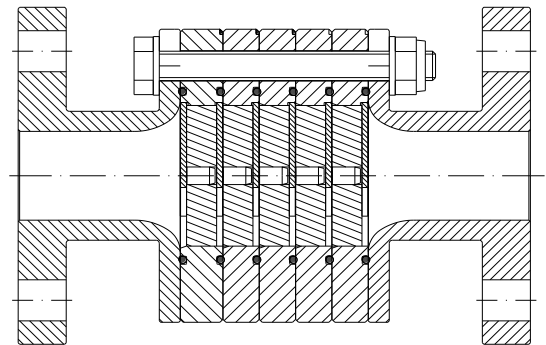
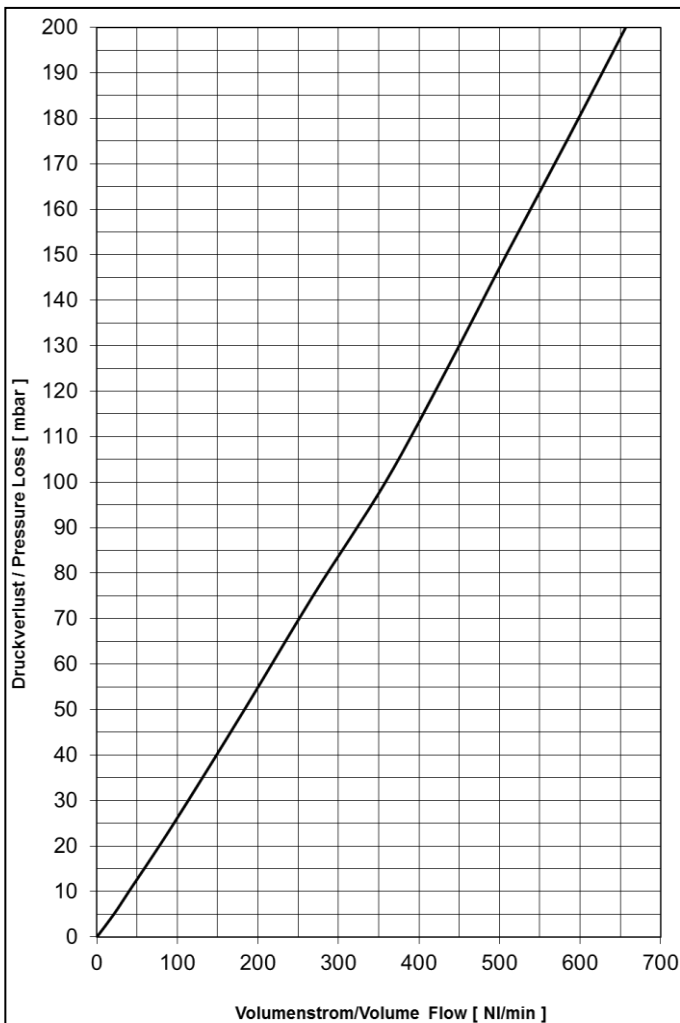
: EN1092-1 (DIN2576) Typ01 PN10/40

**Thread connection**

:

**Weight**

: ~ 5,7 kg



**Material**

Housing

V4A/AISI 316 range

Flame Arrester Element

1.4404 / AISI 316L

O-Ring

PTFE

**Operating Data**

Type : DET 4

Absolute pressure : ≤ 1,2 bar

Temperature : ≤ 60,0 °C

Nominal pipe size : ≤ DN15

**Pressure loss**

**Medium Air**

po = 1013 mbar, To = 273K, density = 1,293 kg/m<sup>3</sup>